

09 Cargo Security

ANCHORING ELEMENTS - BOWLS

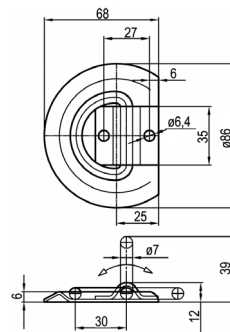
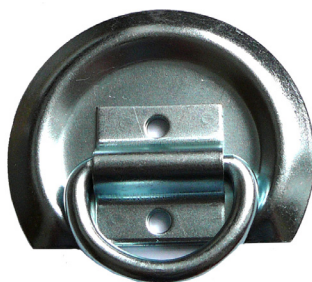
0911001.000

Anchoring bowl for floor mounting

Load capacity: approx. up to 7.50 kN (750 daN)

Material: galvanized steel

Weight: 0.150 kg/pc



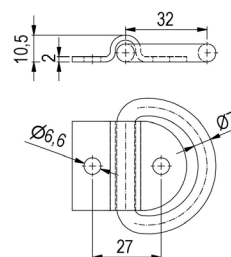
0911001.100

Anchoring eye with shackle

750 kg

Material: galvanized steel

Weight: 0.1 kg/pc

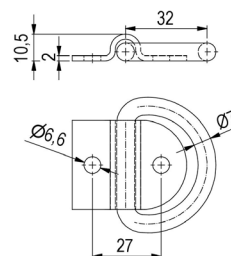


0911001.500

Anchoring eye with shackle 750 kg

Material: stainless steel A2

Weight: 0.07 kg/pc



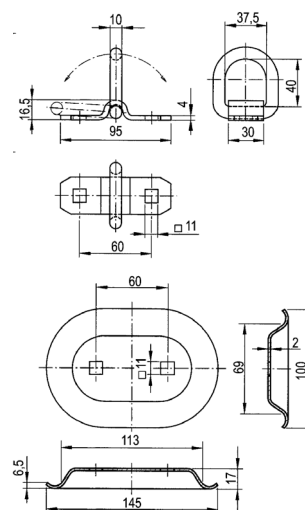
0911002.000

Anchoring bowl for recessing into the floor complete

Load capacity: approx. up to 15 kN (1,500 daN)

Material: galvanized steel

Weight: 0.435 kg/pc



Spare parts

pro 0911002.000

TT-number	Name	Weight kg/pc
0911002.100	Ring	0.09
0911002.200	Shackle	0.09
0911002.300	Bowl	0.25

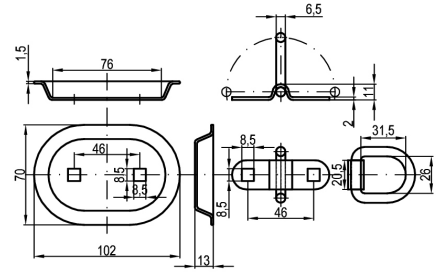


ANCHORING ELEMENTS - BOWLS

0911032.000

Anchoring bowl for recessing into the floor complete

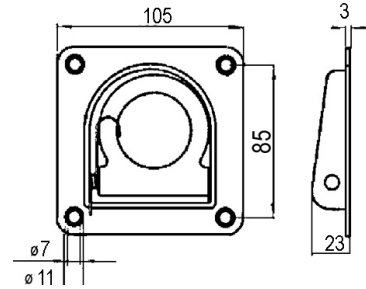
Load capacity: approx. up to 3 kN (300 daN)
Material: galvanized steel
Weight: 0.35 kg/pc



0911003.000

Anchoring bowl for recessing into the floor

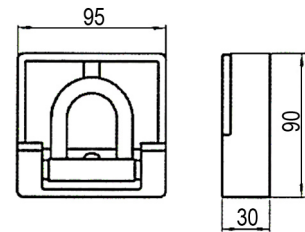
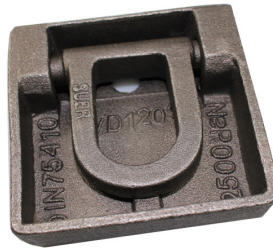
Load capacity: approx. up to 8 kN (800 daN)
Material: galvanized steel
Weight: 0.46 kg/pc



0911012.000

Anchoring bowl 90 x 95 x 30 mm

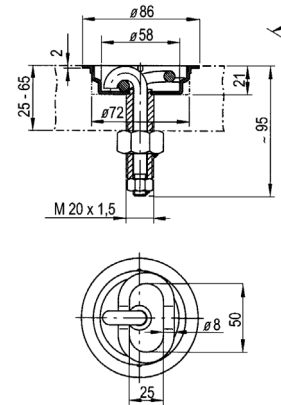
Load capacity: approx. up to 25 kN (2500 daN)
Material: steel
Weight: 0.94 kg/pc



0911004.100

BISON anchoring bowl for recessing into the floor

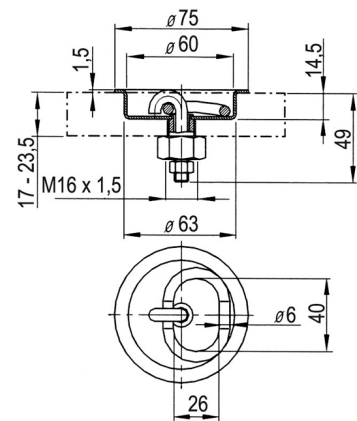
Load capacity: approx. up to 19 kN (1,900 daN)
Material: galvanized steel
Weight: 0.4 kg/pc
DIN 75 410



0911004.100

BISON anchoring bowl for recessing into the floor

Load capacity: approx. up to 19 kN (1,900 daN)
Material: galvanized steel
Weight: 0.4 kg/pc
DIN 75 410



ANCHORING ELEMENTS - FOR ANCHORING WITH LASHING STRAP SETS

0911007.000

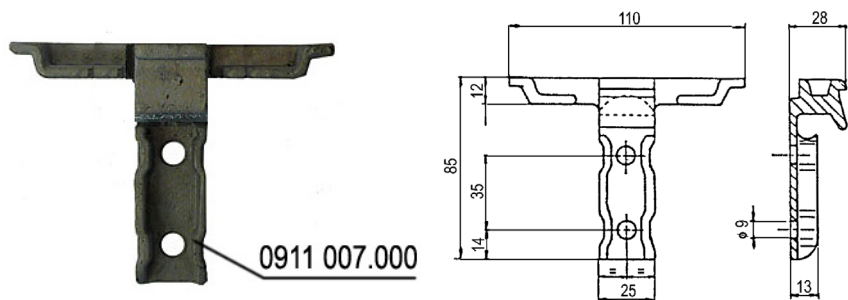
Anchoring bowl - hitch

Designed for Al frame profiles

Load capacity max. 20 kN (2,000 daN)

Material: galvanized steel

Weight: 0.190 kg/pc



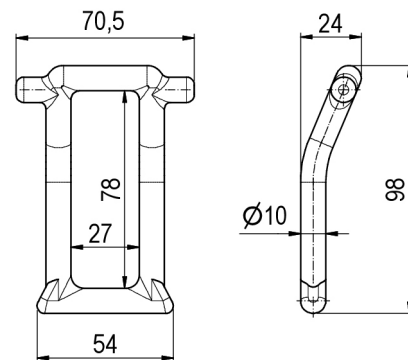
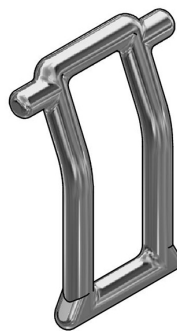
0911008.100

Anchoring bowl - eye 2000 daN

Load capacity: max. up to 2000 daN

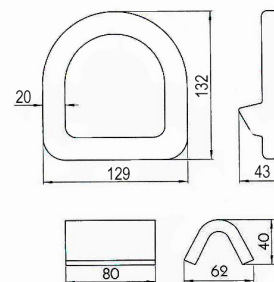
Material: galvanized steel

Weight: 0.18 kg/pc



0911015.000

Anchoring bowl 15,000 kg complete set



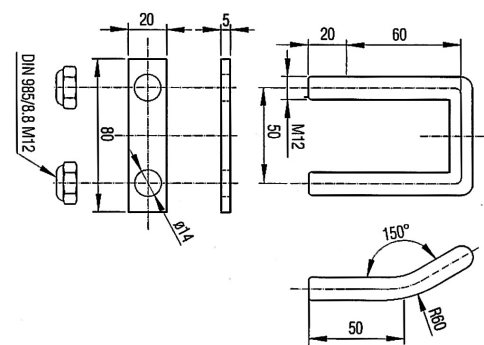
0911020.000

Anchoring shackle for frame - complete set

Load capacity: max up to 2000 daN

Material: galvanized steel

Weight: 0.33 kg/pc



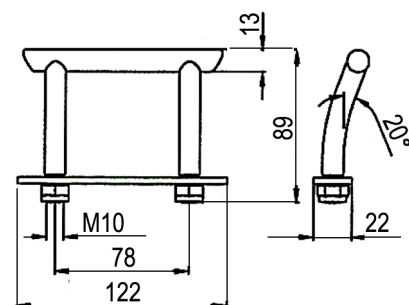
0911021.000

Anchoring shackle for frame - complete set

Load capacity: max up to 2500 daN

Material: galvanized steel

Weight: 0.33 kg/pc



ANCHORING ELEMENTS - FOR ANCHORING WITH LASHING STRAP SETS

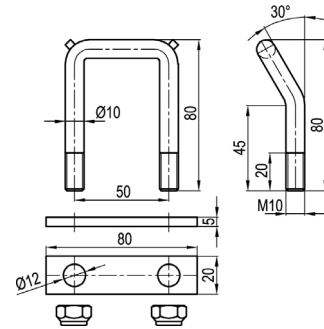
0911022.000

Anchoring shackle for frame - complete set

Load capacity: max. up to 1000 daN

Material: galvanized steel

Weight: 0.25 kg/pc



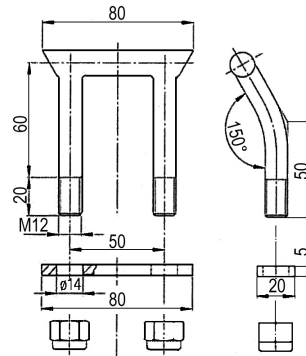
0911023.000

Anchoring shackle for frame - complete set

Load capacity: max. up to 1000 daN

Material: galvanized steel

Weight: 0.25 kg/pc



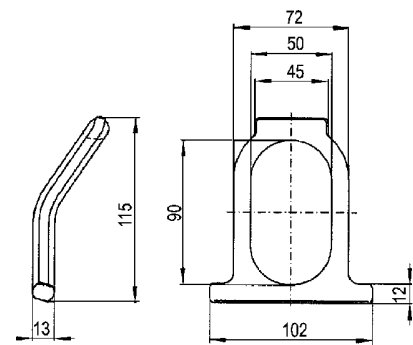
0911024.000

Anchoring eye for hitch

Load capacity: up to 3000 daN

Material: steel

Weight: 0.35 kg/pc



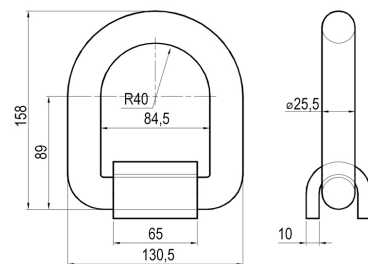
0911030.000

Anchoring bowl

Load capacity: up to 12,000 daN

Material: natural steel

Weight: 2 kg/pc



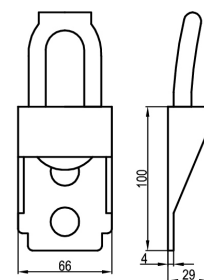
0911033.000

Anchoring bowl - complete set

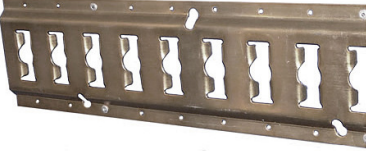
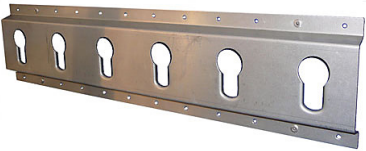
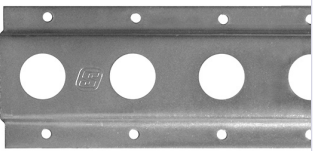
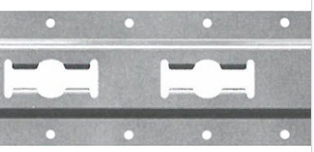
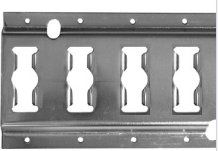
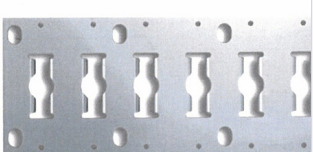
Load capacity: up to 2500 daN

Material: steel

Weight: 0.62 kg/pc



ANCHORING ELEMENTS - ANCHOR RAILS

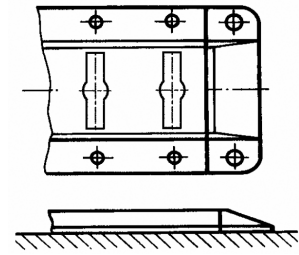
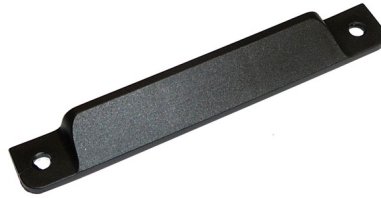
TT-number	Name	Dimensions mm	Material	Weight kg/pc	Photo
0921100.000	Anchor rails - combined with \varnothing 25 mm	131 x 12 x 3060 x 2.3	galvanized steel	7.5	
0921100.100	Anchor rails - combined diameter 25	131 x 11 x 3060 x 2.3	stainless steel	7.5	
0921109.000	Anchor rails with keyholes	140 x 22 x 3000 x 1.5	galvanized steel	5.3	
0921501.000	Anchor rails with round holes diameter 20	66.5 x 11.5 x 2993 x 1.8	galvanized steel	2.8	
0921502.000	Anchor rails with round holes diameter 25	66.5 x 11.5 x 2993 x 1.8	galvanized steel	2.8	
0921505.000	Anchor rails with round and rectangular holes diameter 20	128 x 12 x 3000 x 2.5	galvanized steel	6.74	
0921506.000	Anchor rails with round and rectangular holes diameter 25	131 x 11.5 x 3000 x 35	galvanized steel	8.1	
0921508.000	Anchor rails combined diameter 25	88 x 12 x 3048 x 2.5	galvanized steel	5.1	
0921512.000	Anchor rails combined diameter 25	130 x 12 x 3048 x 3	Al, surface - anodized	2.9	
0921518.000	Anchor rails combined - horizontal	120 x 25, L = 3.5 m	galvanized steel	11.6	

ANCHORING ELEMENTS - ANCHOR RAILS

0921105.000

Plastic end cap for:

- 0921100.100
- 0921505.000
- 0921506.000
- 0921512.000



TT-number	Name	Dimensions in mm	Material	Photo
0921552.000	AIRLINE anchoring bar	50 x 15 x 3000	Al	
0921554.000	AIRLINE anchoring bar	34 x 9.6 x 3000	Al	
0921555.000	AIRLINE anchoring bar	50 x 11.5 x 2000	Al	
0921556.000	AIRLINE anchoring bar For walls and floor (non-recessed)	50 x 11.5 x 3000	Al	
0921557.000	AIRLINE anchoring bar	54 x 10 x 3000	Al	
0921571.000	Plastic end cap	-	plastic	



0989366.000

Airline latch type 571

- double assembly
- ring d = 40 mm
- LC = 2700 daN



0989365.000

Airline latch type 570

- single assembly
- ring d = 35 mm
- LC = 1800 daN

SPREADER RODS

TT-number	Name	Length of rod mm	Material	Weight kg/pc	Photo
0931300.000	Partitioner between sideboards - complete set	2400 – 2700	Al, surface - natural	7.5	
0931203.000	Spreader rod, telescopic spring loaded diameter 34 20	2410 – 2510	galvanized steel	6	
0931501.000	Spreader rod - diameter 42 mm	2210 - 2590	galvanized steel	7.8	
0931502.000	Spreader rod - diameter 42 mm	2440 - 2520	Al	4.7	
0931503.000	Spreader rod diameter 42 19/24, 600 daN	2375 – 2750	galvanized steel	9.3	
0931506.000	Spreader rod diameter 42 19/24, 500 daN	2000 - 2400	galvanized steel	8.1	
0931510.000	Closet rod, for rails with keyholes, 350 daN	2420 - 2510	chrome-plated steel	7.4	
0931511.000	Closet rod, for anchoring rails combined, 350 daN	2420 - 2510	chrome-plated steel	7.7	
0931401.000	Vertical spreader rod - diameter 45 mm	2000 - 2700	galvanized steel	7.0	
0931401.100	Vertical spreader rod - diameter 45 mm	2260 - 2960	galvanized steel	7.1	
0931403.000	Vertical spreader rod	2000 - 2700	stainless steel	7.0	

SPREADER RODS

TT-number	Name	Length of rod mm	Material	Weight kg/pc	Photo
0931520.000	Spreader rod square 50 x 50, 700 daN	2300 - 2700	galvanized steel	11.5	
0931534.000	Beam 66 x 84 for KOMBI bars	2310 - 2590	Al / steel	10	
0931534.001	Beam 66 x 84 for KOMBI bars, load 1250 daN	1900 - 2180	Al / steel	10	
0931536.000	Inter-sideboard spreader 40 x 40	1960 - 2910	galvanized steel	7.0	
0931537.000	Vertical spreader rod diameter 38	2275 - 2665	Al	4	
0931539.000	Vertical spreader rod diameter 42 mm	2100 - 2470	Al	5.0	
0931540.000	Vertical spreader rod diameter 42 mm	2350 - 2720	Al	5.3	
0931542.000	Vertical spreader rod 35 x 35	1880 - 2852	galvanized steel	6.8	
0931543.000	Vertical spreader rod diameter 42 mm	2100 - 2470	galvanized steel	6.0	
0931610.000	Vertical spreader rod diameter 38 mm	2260 - 2630	steel	5.4	

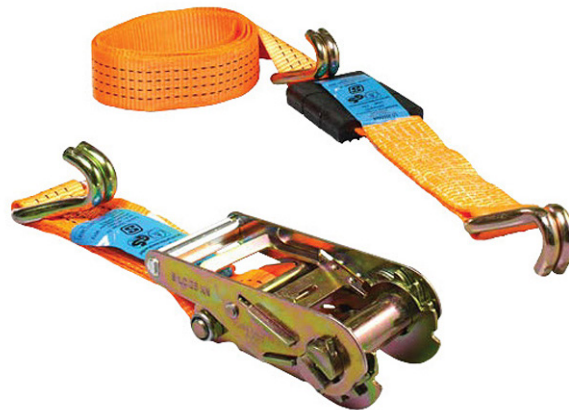


Car transport kit three-point attachment

It consists of:

- free end with hook and with free hook inserted, usual length 2 - 3 metres
- fixed end with hook and ratchet, length 0.25 m short sewing

The wheel must be secured as shown



TT-number	Name	Weight kg/pc
0993374.020	Car transport kit, three-point. - hook, 35 mm, LC 1500	2.1
0993373.125	Car transport kit, three-point. - hook, LC 1500 daN, L = 2.5 m, including 3 pcs of abrasion protection	2.1
0993375.125	Car transport kit, two-point. - hook, LC 1500 daN, L = 1.5 m	2.1

LASHING SETS - STRAPS 25 mm - ACCESSORIES

Lashing sets, belt width 25 mm.



TT - number	Strap colour	Allowable tensile force in the loop
0989110.000	blue	1500 daN



TT-number	Name	Material	Length	Weight kg/pc
0984032.204	Lashing set - hook Maximum force for use in direct pull - LC: 500 daN Tensioning force of the ratchet - STF: 100 daN	Strap - material: polyester End caps - material: galvanized steel	4 m	0.7
0984032.205	Lashing set - hook Maximum force for use in direct pull - LC: 500 daN Tensioning force of the ratchet - STF: 100 daN	Strap - material: polyester End caps - material: galvanized steel	5 m	0.8
0984032.206	Lashing set - hook Maximum force for use in direct pull - LC: 500 daN	Strap - material: polyester End caps - material: galvanized steel	6 m	0.9

0989332.000
Hook



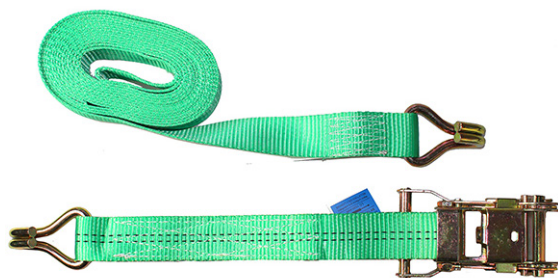
LASHING SETS - STRAPS 35 mm - ACCESSORIES

Lashing set, strap width 35 mm.

Certificate No. 833 for approval of technical quality was issued for the above-mentioned sets.



TT - number	Strap colour	Allowable tensile force in the loop
0989113.000	green	3000 daN



TT-number	Name	Material	Length	Weight kg/pc
0991041.204	Lashing set - hook Maximum force for use in direct pull - LC: 1000 daN Tensioning force of the ratchet - STF: 150 daN	Strap - material: polyester End caps - material: galvanized steel	4 m	0.8
0991041.205	Lashing set - hook Maximum force for use in direct pull - LC: 1000 daN Tensioning force of the ratchet - STF: 150 daN	Strap - material: polyester End caps - material: galvanized steel	5 m	0.9
0991041.206	Lashing set - hook Maximum force for use in direct pull - LC: 1000 daN Tensioning force of the ratchet - STF: 150 daN	Strap - material: polyester End caps - material: galvanized steel	6 m	1
0991041.208	Lashing set - hook Maximum force for use in direct pull - LC: 1000 daN Tensioning force of the ratchet - STF: 150 daN	Strap - material: polyester End caps - material: galvanized steel	8 m	1

0989341.000 Hook



Standard sets:

order number	set name
0991001.xxx	belting (one-piece)
0991141.xxx	VK free end (end cap + strap)
0991541.xxx	PK fixed end (end cap + ratchet, standard length 0.5 m)
0991041.xxx	spike hook
0991040.xxx	single hook

LASHING SETS - STRAPS 50 mm

Standard lashing sets - stock items

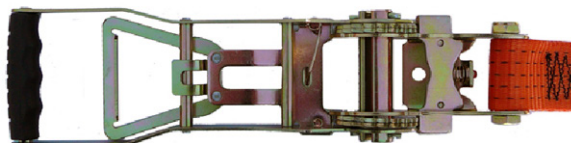


TT-number	Strap width mm	Description / LC - maximum force for use in direct pull / Set length
0995073.206	50	Lashing set - hook, LC 2500 daN, L = 6 m
0995073.208	50	Fastening set - hook, LC 2500 daN, L = 8 m
0995073.210	50	Lashing set - hook, LC 2500 daN, L = 10 m
0995073.212	50	Lashing set - hook, LC 2500 daN, L = 12 m
0995173.208	50	Lashing strap set - hook, LC 2500 daN, L = 8 m
0995173.210	50	Lashing strap set - hook, LC 2500 daN, L = 10 m
0995173.212	50	Lashing strap set - hook, LC 2500 daN, L = 12 m

0989373.000 Hook



Lashing sets with extended ratchet (ERGO)



TT-number	Strap width mm	Description / LC - maximum force for use in direct pull / Set length
0996073.206	50	ERGO Lashing strap set - hook, LC 2500 daN, L = 6.0 m
0996073.208	50	ERGO Lashing strap set - hook, LC 2500 daN, L = 8.0 m
0996073.210	50	ERGO Lashing strap set - hook, LC 2500 daN, L = 10.0 m
0996573.205	50	ERGO Lashing set fixed end - hook, LC 2500 daN, L = 0.5 m

LASHING SETS - STRAPS 50 mm - ACCESSORIES

Lashing sets, strap width 50 mm.

Certificate No. 833 for approval of technical quality was issued for the above-mentioned sets.



Division of straps

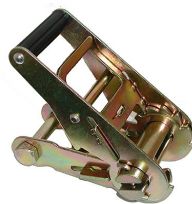
Strap marking	Strap colour	Permissible pulling force in the loop kN
0989110.000	blue	15
0989113.000	green	30
0989130.000	orange	48
0989150.000	orange	75

Ratchets R

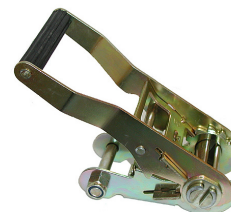
0989220.000
Self-locking buckle 50 mm



0989262.000
Ratchet short 50 mm



0989260.000
Ratchet long for 50 mm belt



0989420.000
Protective plastic corner



0989425.000
Plastic protective corner 200x160



0989430.000
Protective metal corner



LASHING SETS - STRAPS 50 mm

Ordering method for 50 mm strips

Lashing sets other than standard sets are supplied after consultation with the manufacturer, i.e. Trans-Technik spol. s r.o.
Any repairs and replacements of damaged parts are carried out for the delivered lashing sets by agreement, according to the valid price list.

Ordering method:

Example: 0994073.100

09940 - indicates two-piece lashing set, strap type 4000, colour green, loop strength 4000 daN

73 - fixed and free end hook, length of fixed end 0.5 m

.100 - total length of the set 10 m

Standard sets:

order number	set name
	30 kN (3000 daN) loop sets
09931xx.xxx	VK free end (end cap + strap)
0993373.xxx	three-point attachment with hooks + short ratchet, for transporting cars
09935xx.xxx	fixed end (end cap + ratchet), standard length 0.5 m
0993001.xxx	straps (one-piece)
0993055.xxx	lightweight flat hook
0993067.xxx	crimping clasp for rectangular hole
0993069.xxx	carabiner rotated
0996073.xxx	ERGO Lashing strap set - hook, LC 2500 daN
0996573.xxx	ERGO Lashing strap set PK - hook, LC 2500 daN



LASHING SETS - STRAPS 75 mm

0999074.xxx

Lashing set, with triangle hooks, strap width 75 mm

The straps are supplied in lengths according to customer requirements

Tensile strength 5,000 daN

Loop strength 10,000 daN



0999073.xxx

Lashing set, with hooks, belt width 75 mm

The straps are supplied in lengths according to customer requirements

Tensile strength 5,000 daN

Loop strength 10,000 daN



LASHING SETS - STRAPS 50 mm - ACCESSORIES

0989355.000
Lightweight flat hook



0989374.010
Eye triangular



0989374.010
End cap for round holes of anchor rails



0989368.000
Carabiner hook with latch on triangle



0989369.000
Carabiner rotated



0989370.000
Flat carabiner



0989415.000
Protective rubber cover



0989410.000
Protective hose 300 mm



0989378.000
Crimping clamp for anchor rails



0989452.000
Anti-slip washer 5000 x 500 x 8



0989453.000
Anti-slip washer 5000 x 250 x 8



One-piece clamping chain

Manufactured according to standard EN 12195-3
G8 strength classes



TT-number	Name	LC - load limit daN	Length m	Chain size	STF with SHF 50 daN *
0999075.035	Anchor clamping chain one-piece	2200	3.5	6 - 8	1900 daN
0999076.035	Anchor clamping chain one-piece	4000	3.5	8 - 8	3150 daN
0999077.035	Anchor clamping chain one-piece	6300	3.5	10 - 8	3150 daN
0999078.035	Anchor clamping chain one-piece	10000	3.5	13 - 8	3150 daN

Two-piece clamping chain

Manufactured according to standard EN 12195-3
G8 strength classes



TT-number	Name	LC - load limit daN	Length m	Chain size	STF with SHF 50 daN *
0999175.035	Anchor clamping chain two-piece	2000	3.5	6 - 8	1900 daN
0999176.035	Anchor clamping chain two-piece	4000	3.5	8 - 8	3150 daN
0999177.035	Anchor clamping chain two-piece	6300	3.5	10 - 8	3150 daN
0999178.035	Anchor clamping chain two-piece	10000	3.5	13 - 8	3150 daN

